

WitJack
1X4 Tab-Down RJ45
RJ-104G50E

Witmag

TEL: +86 755 36921672 FAX: +86 755 29454863
 Http: //www.witmag.com.cn Http: //www.witmag.cn
 E-mail:sales@witmag.com.cn

Features

Description:

- ◆ 10/100/1000 Base-TX RJ45 1X4 Tab-DOWN with LEDs 8-pin(J0 series) integrated magnetics connector(ICM), designed to support applications, such as SOHO (ADSL modems), LAN-on-Motherboard(LOM), Hub and Switches.

Features and Benefits:

- ◆ 1X4 Tab-DOWN RJ45 with internal magnetics
- ◆ Suitable for CAT 5 & 6 Fast Ethernet Cable or better UTP
- ◆ Internal magnetics are 100% electrically tested for HI-POT and functionality

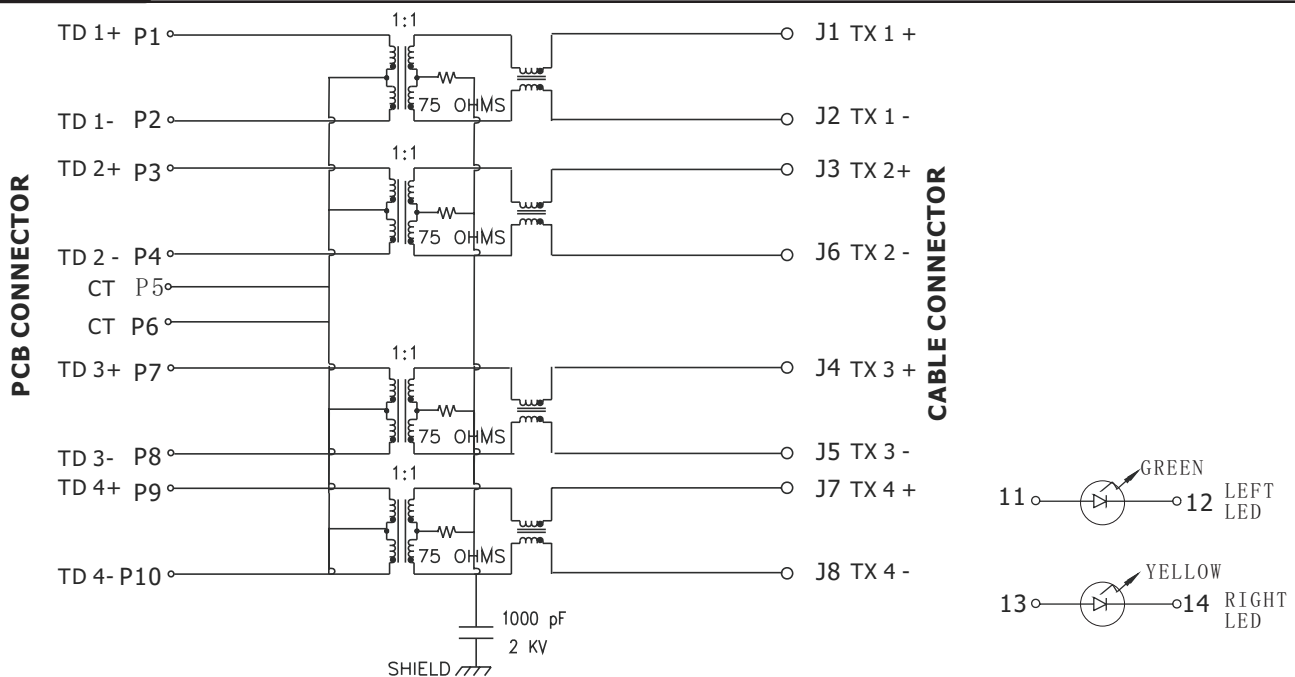
Electrical Performance Summary:

- ◆ Internal magnetics options available
- ◆ Meets or exceeds IEEE 802.3 standard for 1000Base-T
- ◆ 350 uH minimum OCL with 8 mA bias current
- ◆ High performance for maximum EMI suppression
- ◆ Minimum 1500 VAC isolation per IEEE 802.3 requirement

SPEC		Electrical Specifications @25°C - Operating Temperature 0°C to 70°C											
Part Number	EMI Fingers	LEDs L/R	Insertion Loss TX/RX (dB TYP)	Return Loss (dB MIN)				Crosstalk (dB TYP)			Common Mode Rejection (dB TYP)		Hipot (Vrms) @50 Hz
				100 Ω	1 Ω	5 Ω		1~100 MHz	1~10 MHz	30 MHz	60~80 MHz	1~10 MHz	
RJ-104G50E	YES	G/Y	-1.0	-20	-16	-12	-40	-35	-30	-30	-20	1500	

NOTE: 1. Both transmit and receive channels meet IEEE 802.3 specifications
 2. Different electrical and mechanical specifications can be accommodated
 3. LEDs Left/Right: G=green, Y=yellow, Y-G=Bicolor

Schematics

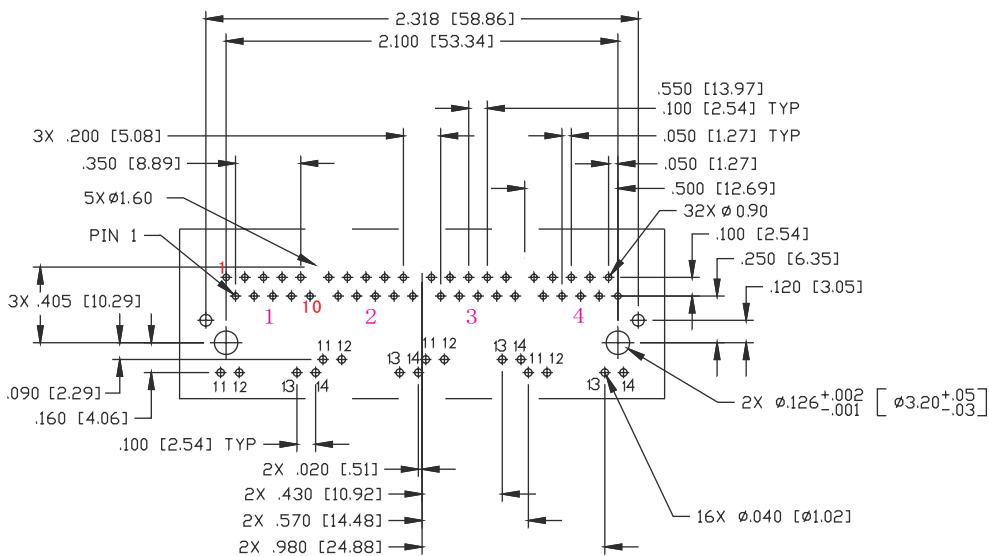
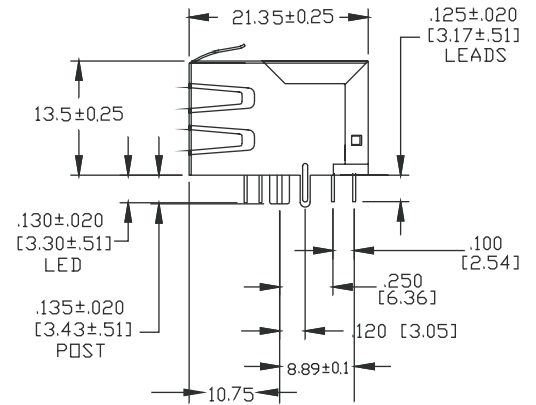
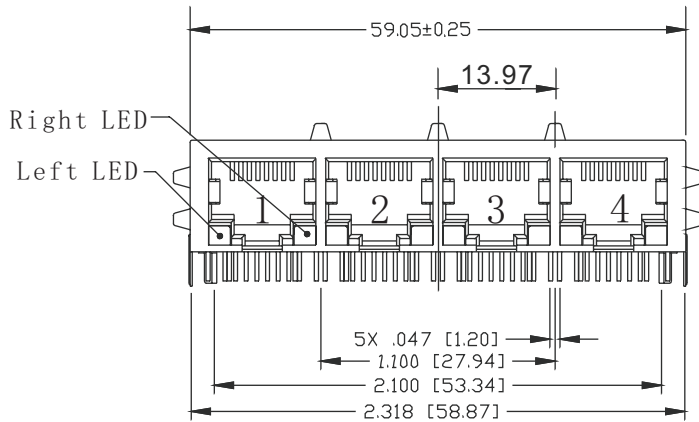


WitJack
1X4 Tab-Down RJ45
RJ-104G50E

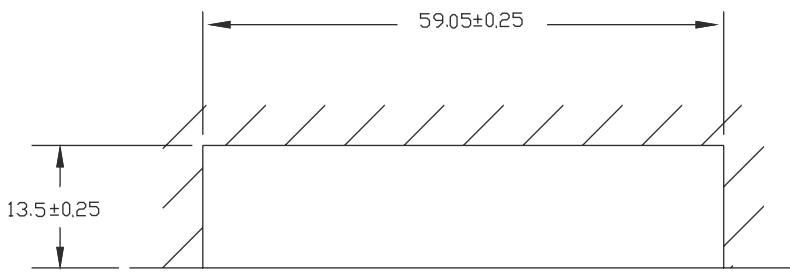
Mechanicals

Witmag

TEL: +86 755 36921672 FAX: +86 755 29454863
 Http://www.witmag.com.cn Http://www.witmag.cn
 E-mail:sales@witmag.com.cn



SUGGESTED PC BOARD LAYOUT VIEWED FROM COMPONENT SIDE
 PCB LAYOUT DIMENSIONS TO BE ±.003 UNLESS OTHERWISE SPECIFIED



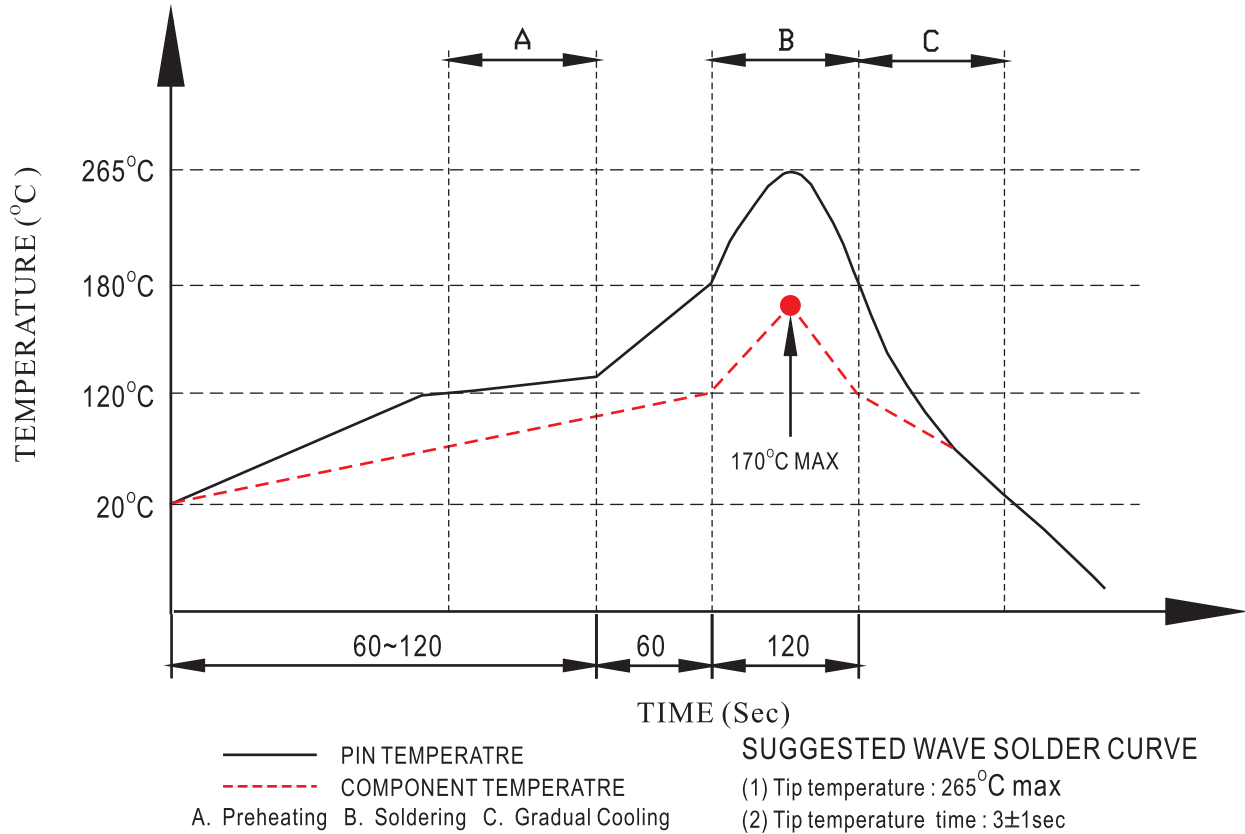
PANEL CUTOUT

UNIT:mm / inch

TOLERANCES UNLESS OTHERWISE SPECIFIED:

0~0.393_{-0.004} , 0.393~0.787_{+0.006} , 0.394~1.969_{+0.010}
 0~10.00_{-0.100} , 10.00~20.00_{+0.150} , 20.00~50.00_{+0.250}

Profile of wave solder



*The melting point of Sn99.3/Cu0.7

REQUIREMENTS

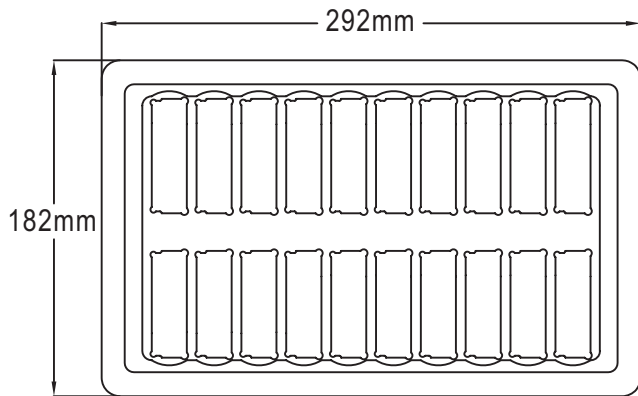
- ◆ Material
 - ◇ Terminal Parts(Underphating:30u" min. Nickel overall)
 - RJ Terminal: PH. Bronze, Thickness=0.3mm, Finish: Contact Area: 6u" Gold
 - Input Terminal: Brass, Thickness=0.35mm, Finish: 100u" min. Mt. Tin
 - Case Terminal: Brass, Thickness=0.3mm, Finish: 100u" min. Tin
 - ◇ Plastic Parts<UL94V-0>
 - Housing: Thermoplastic, Black
 - Case: Thermoplastic, Black
 - Spacer: Thermoplastic, Black
 - Light Pipe: Thermoplastic, Black
 - ◇ Shield Parts
 - Front Shield: Stainless, Thickness=0.2mm, unplating
 - Back Shield: Stainless, Thickness=0.2mm, Pre-soldering
- ◆ Operating and Storage Temperature
 - Operating Temperature: 0°C to +70°C
 - Storage Temperature: -40°C to +85°C
- ◆ RJ45 Specifications
 - Insulation Resistance 500MΩmin
 - Insertion force with the latch depressed 22N max
 - Removal force with the latch depressed 44N max
 - Locking Force of Plug Latch: 50N min. @60±5 sec
 - Durability: 750 cycles MIN

WitJack
1X4 Tab-Down RJ45
RJ-104G50E

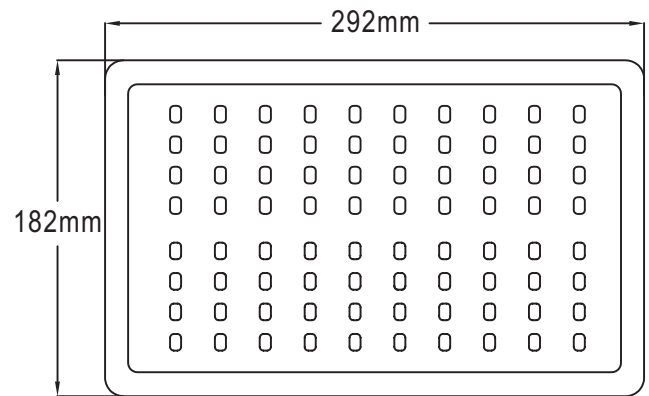
Packing

Witmag

TEL: +86 755 36921672 FAX: +86 755 29454863
Http://www.witmag.com.cn Http://www.witmag.cn
E-mail:sales@witmag.com.cn



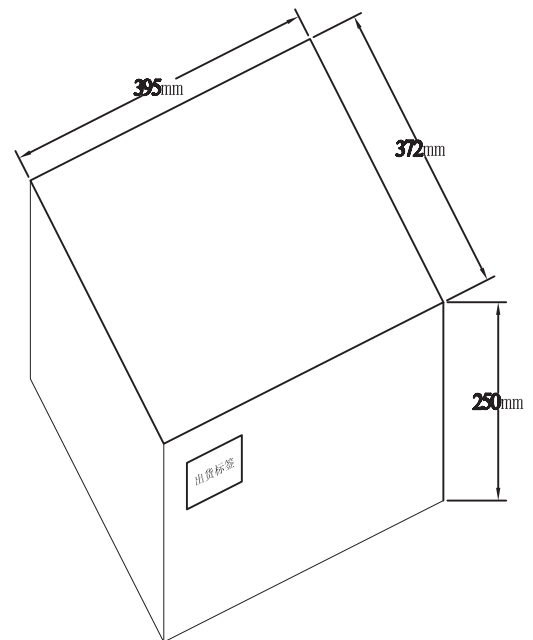
吸塑盘
每盘装产品 $2 \times 10 = 20$ PCS



吸塑盖
每盘装好的产品
上盖一个吸塑盖



每箱: $20 \times 20 = 400$ PCS



每箱贴出货标签