

# WitJack 2X8 RJ45 RJ-216G02(ROHS)

# Witmag

TEL: +86 755 36921672 FAX: +86 755 29454863  
 Http://www.witmag.com.cn Http://www.witmag.cn  
 E-mail:sales@witmag.com.cn

## Features

### Description:

- ◆ 10/100/1000 Base-TX RJ45 2X8 without LEDs 10-pin(J0 series) integrated magnetics connector(ICM), designed to support applications, such as SOHO (ADSL modems), LAN-on-Motherboard(LOM), Hub and Switches.

### Features and Benefites:

- ◆ 2X8 RJ45 with internal magnetics
- ◆ Suitable for CAT 5 & 6 Fast Ethernet Cable or better UTP
- ◆ Internal magnetics are 100% electrically tested for HI-POT and functionality

### Electrical Performance Summary:

- ◆ Internal magnetics options available
- ◆ Meets or exceeds IEEE 802.3 standard for 100Base-T
- ◆ 350 uH minimum OCL with 8 mA bias current
- ◆ High performance for maximum EMI suppression
- ◆ Minimum 1500 Vrms isolation per IEEE 802.3 requirement

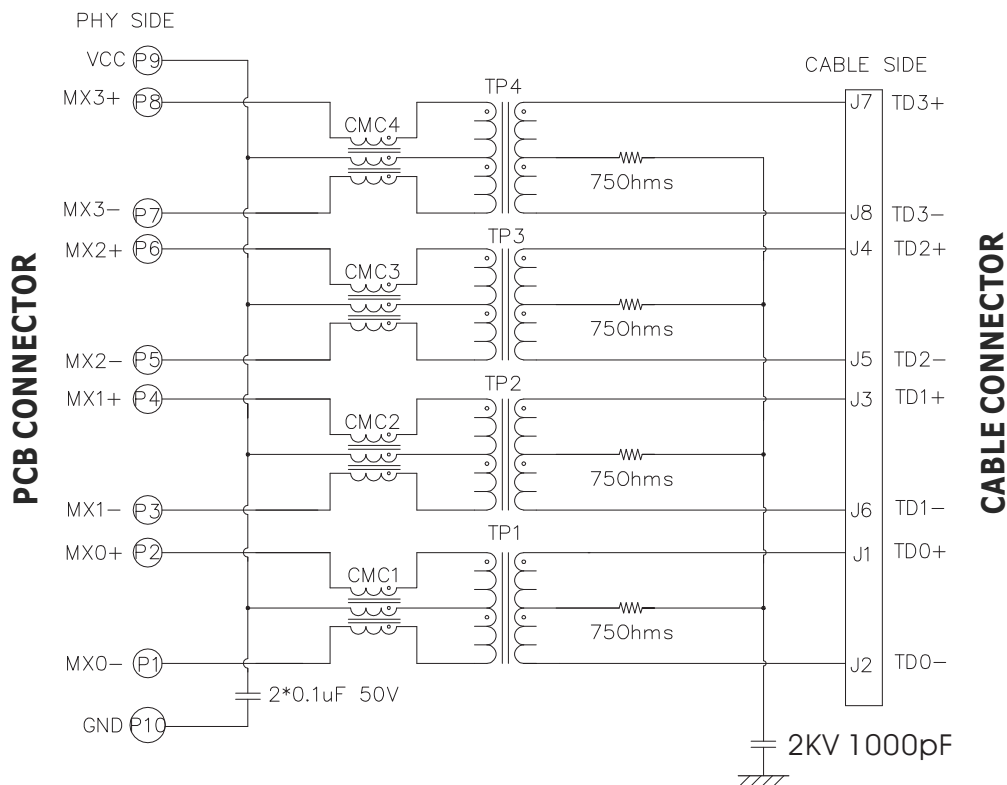
## SPEC

Electrical Specifications @25°C - Operating Temperature 0°C to 70°C

Part Number	Turns Ratios		LEDs L/R	Insertion Loss (dB MAX)		Return Loss (dB TYP) (100Ω 15Ω )			Crosstalk (dB MIN)			Common Mode Rejection (dB TYP)	Hipot ( Vrms MIN)
	TX	RX		L/R	1-100 MHz	1-10 MHz	30 MHz	60-80 MHz	100 MHz	1-10 MHz	30-60 MHz		
RJ-216G02	1CT:1CT	1CT:1CT	N/A	-1.0	-20	-16	-12	-10	-40	-35	-30	-30	1500

NOTE: 1. Both transmit and receive channels meet IEEE 802.3 specifications  
 2. Different electrical and mechanical specifications can be accommodated  
 3. LEDs Left/Right: G=green, Y=Yellow,

## Schematics

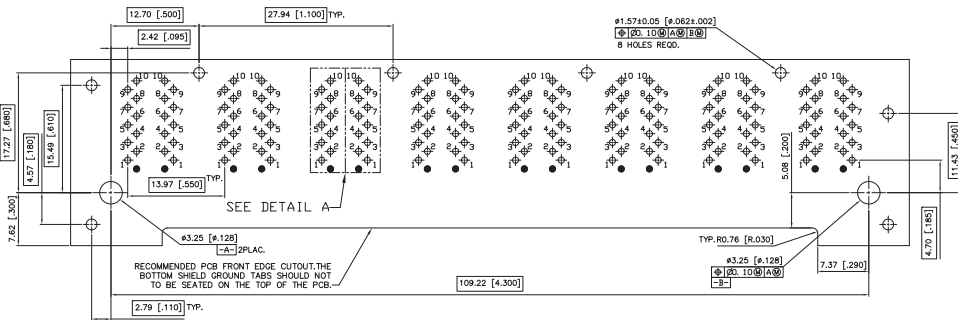
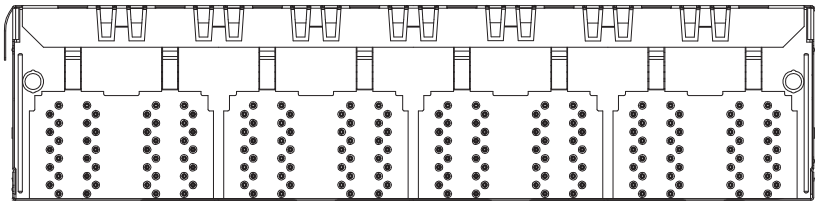
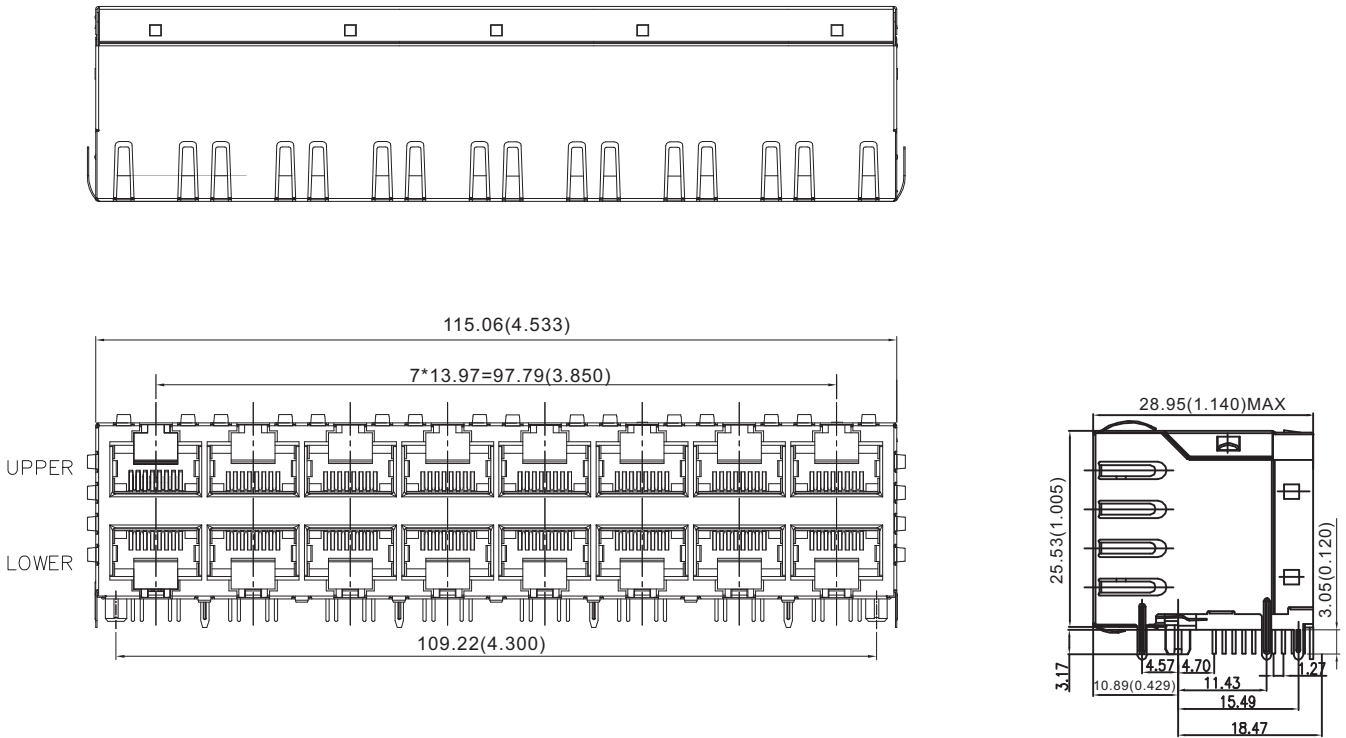


# WitJack 2X8 RJ45 RJ-216G02(ROHS)

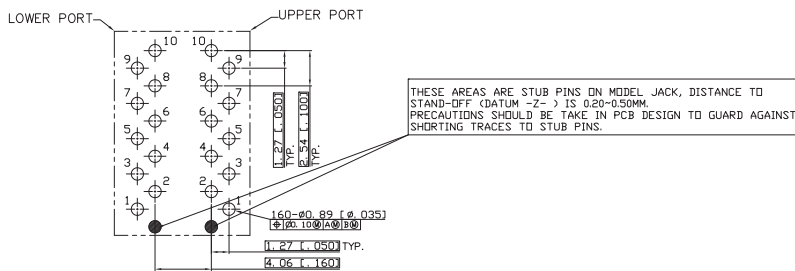
Mechanical

# Witmag

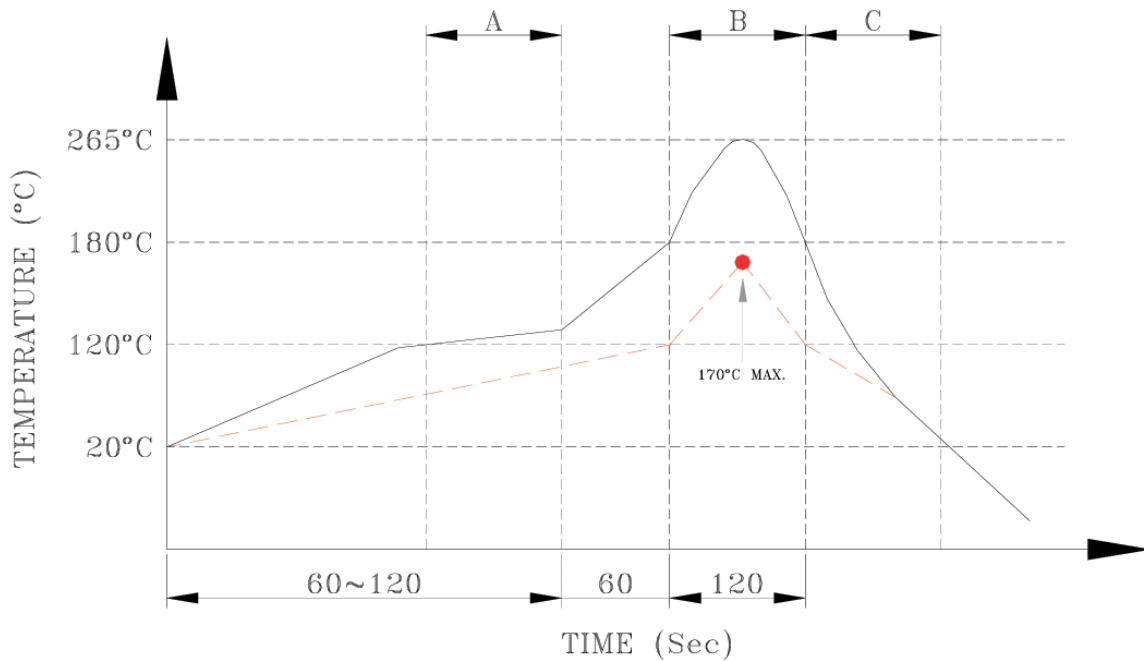
TEL: +86 755 36921672 FAX: +86 755 29454863  
Http://www.witmag.com.cn Http://www.witmag.cn  
E-mail:sales@witmag.com.cn



RECOMMENDED PC BOARD LAYOUT  
AS VIEWED FROM COMPONENT SIDE



Profile of wave solder



— PIN TEMPERATURE  
 - - - COMPONENT TEMPERATURE

SUGGESTED WAVE SOLDER CURVE

(1) Tip temperature : 265°C max

(2) Tip temperature time : 3±1sec

A. Preheating B. Soldering C. Gradual Cooling

\*The melting point of Sn 99.3/Cu 0.7

