

WitJack Gigabit T08 RJ-101G01

Witmag

TEL: +86 755 36921672 FAX: +86 755 29454863
Http://www.witmag.com.cn Http://www.witmag.cn
E-mail:sales@witmag.com.cn

Features

Description:

- ◆ 10/100/1000 Base-TX RJ45 single port(1X1) Tab-Down with or without LEDs integrated magnetics connector (ICM), designed to support applications, such as Network Interface Cards (NIC), LAN-on Motherboard (LOM), and PC applications.

Features and Benefits:

- ◆ Single port Tab-Down with internal magnetics for 10/100/1000 Base-TX
- ◆ Available with or without LEDs
- ◆ Suitable for CAT 5 and 6 Fast Ethernet cable or better UTP
- ◆ Internal magnetics are 100% electrically tested for HI-POT and functionality

Electrical Performance Summary:

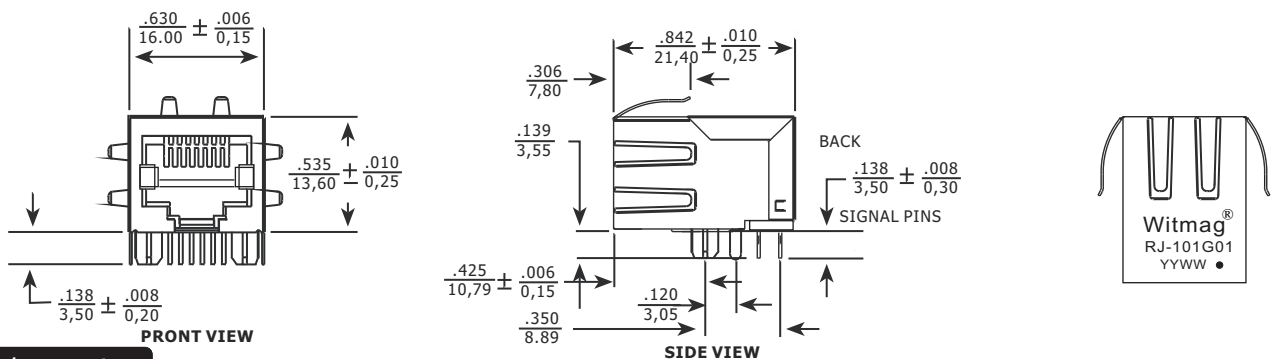
- ◆ Internal magnetics options available
- ◆ Meets or exceeds IEEE 802.3ab standard for 1000Base-T
- ◆ 350 uH minimum OCL with 8 mA bias current
- ◆ High performance for maximum EMI suppression
- ◆ Minimum 1800 VDC isolation per IEEE 802.3 requirement

SPEC

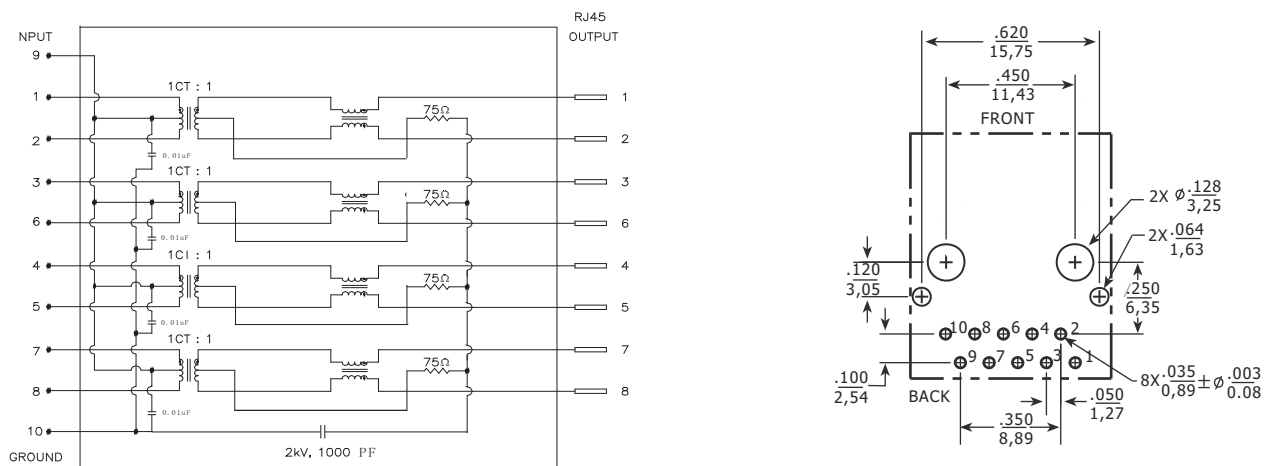
Electrical Specifications @25°C - Operating Temperature 0°C to 70°C

Part Number	EMI Fingers	LEDs L/R	Insertion Loss TX/RX (dB TYP)				Return Loss (dB MIN)			Crosstalk (dB TYP)			Common Mode Rejection (dB TYP)		Hipot (Vrms)
			1~100 MHz	1~10 MHz	30 MHz	60~80 MHz	1~10 MHz	32~65 MHz	65~100 MHz	1~125 MHz	125~500 MHz	VDC			
RJ-101G01	Yes	N/A	-1.0	-20	-16	-12	-40	-35	-30	-30	-20	1800			

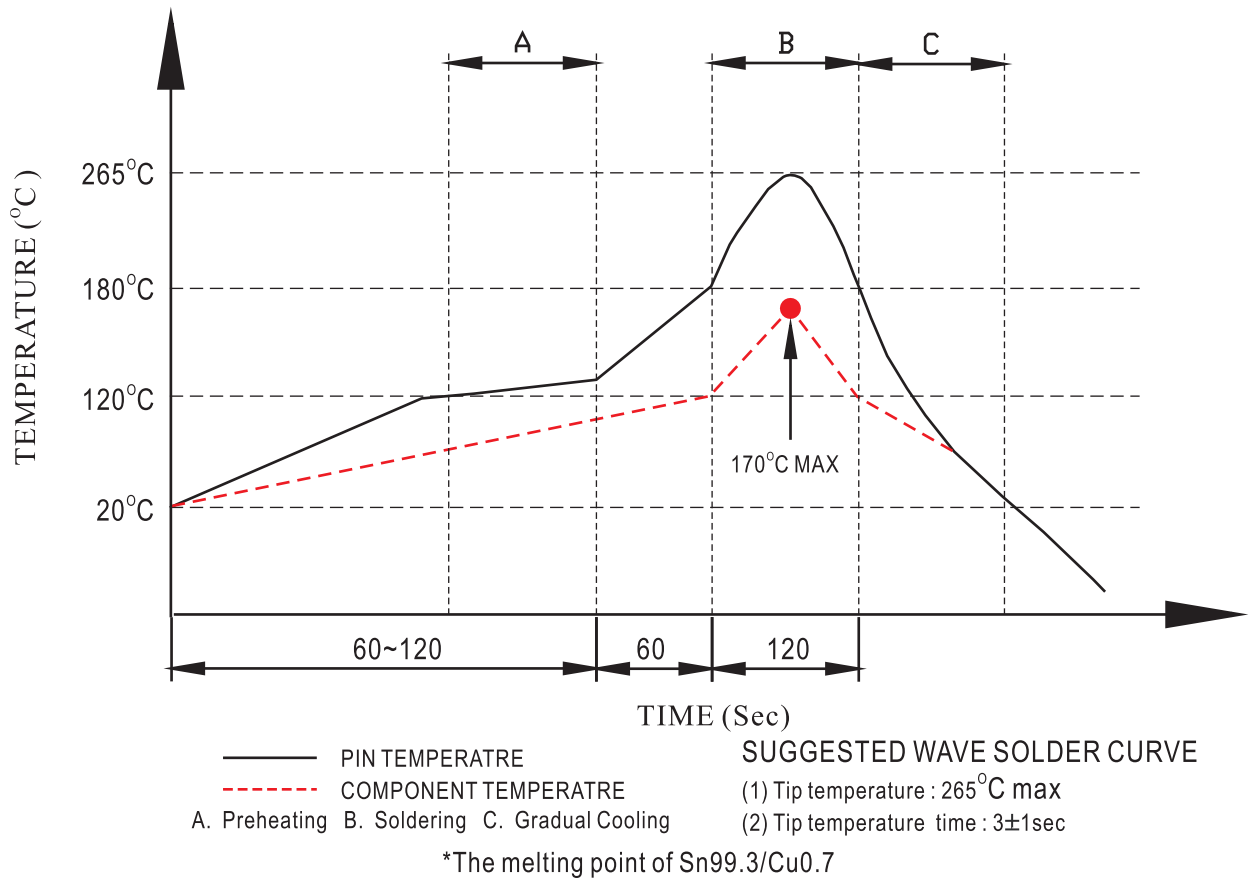
Mechanicals



Schematics



Profile of wave solder



WitJack 1X1 Tab-Down RJ45 RJ-101G01

Witmag

TEL: +86 755 36921672 FAX: +86 755 29454863
Http://www.witmag.com.cn Http://www.witmag.cn
E-mail:sales@witmag.com.cn

Packing



吸塑盘
每盘装产品7*10=70PCS



吸塑盖
每盘装好的产品上盖一个吸塑盖



每箱:70*20=1400PCS



每箱右上角贴标签