

WitJack

1X2 Tab-UP RJ45

RJ-102B16U

Witmag

TEL: +86 755 36921672 FAX: +86 755 29454863
 Http://www.witmag.com.cn Http://www.witmag.cn
 E-mail:sales@witmag.com.cn

Features

Description:

- 10/100 Base-TX RJ45 1X2 Tab-UP with LEDs 8-pin integrated magnetics connector(ICM), designed to support applications, such as SOHO (ADSL modems), LAN-on-Motherboard(LOM), Hub and Switches.

Features and Benefites:

- 1X2 Tab-UP RJ45 with internal magnetics
- Suitable for CAT 5 & 6 Fast Ethernet Cable or better UTP
- Internal magnetics are 100% electrically tested for HI-POT and functionality

Electrical Performance Summary:

- Internal magnetics options available
- Meets or exceeds IEEE 802.3 standard for 100Base-T
- 350 uH minimum OCL with 8 mA bias current
- High performance for maximum EMI suppression
- Minimum 1500 Vrms isolation per IEEE 802.3 requirement

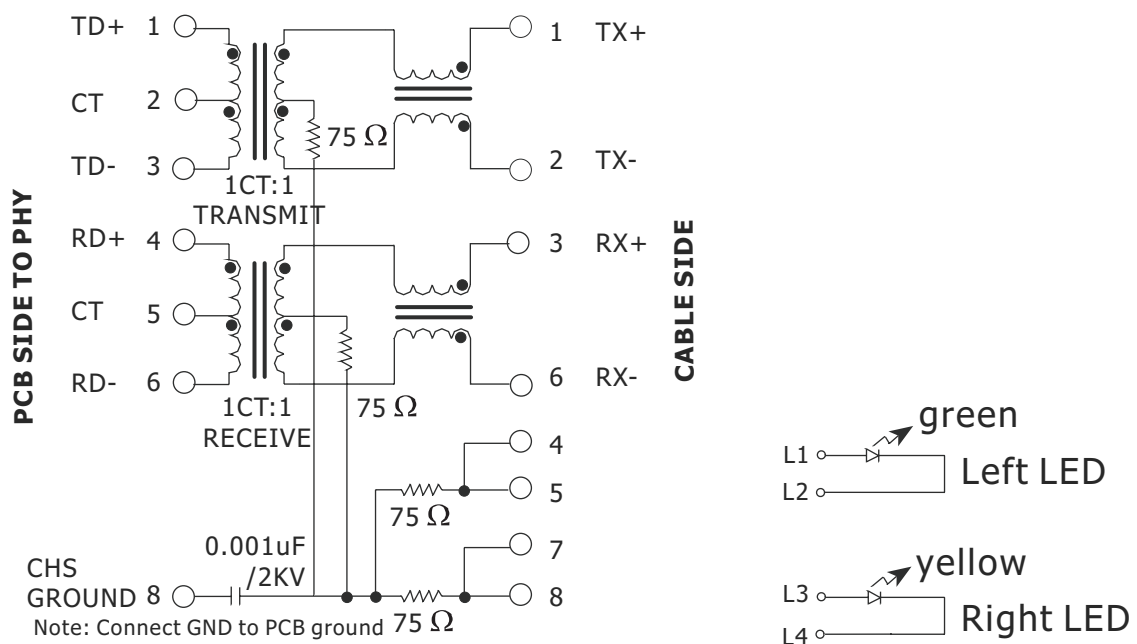
SPEC

Electrical Specifications @25°C - Operating Temperature -40°C to 85°C

Part Number	Turns Ratio		EMI Fingers	LEDs L/R	Insertion Loss (dB TYP)		Return Loss (dB TYP)			Crosstalk (dB TYP)			Common Mode Rejection (dB TYP)		Hipot (Vrms)
	TX	RX			1-65 MHz	1-10 MHz	10-30 MHz	30-60 MHz	60-80 MHz	1-30 MHz	30-60 MHz	60-100 MHz	1-50 MHz	50-150 MHz	
RJ-102B16U	1CT:1	1CT:1	YES	G/Y	-1	-20	-16	-12	-10	-40	-35	-30	-30	-20	1500

- NOTE: 1. Both transmit and receive channels meet IEEE 802.3 specifications
 2. Different electrical and mechanical specifications can be accommodated
 3. LEDs Left/Right: G=green, Y=Yellow,

Schematics

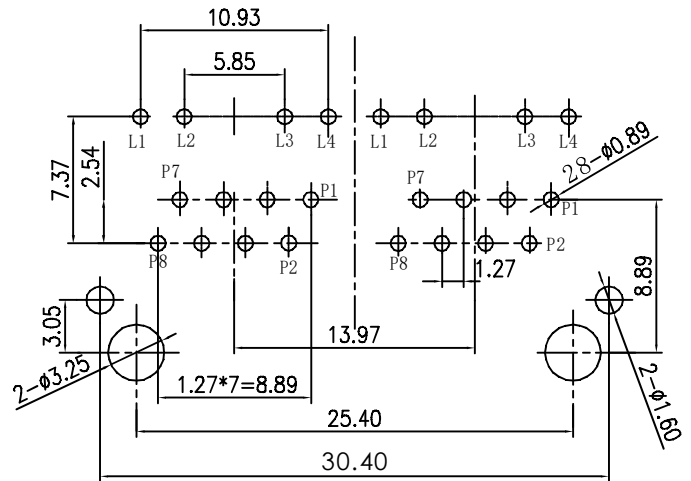
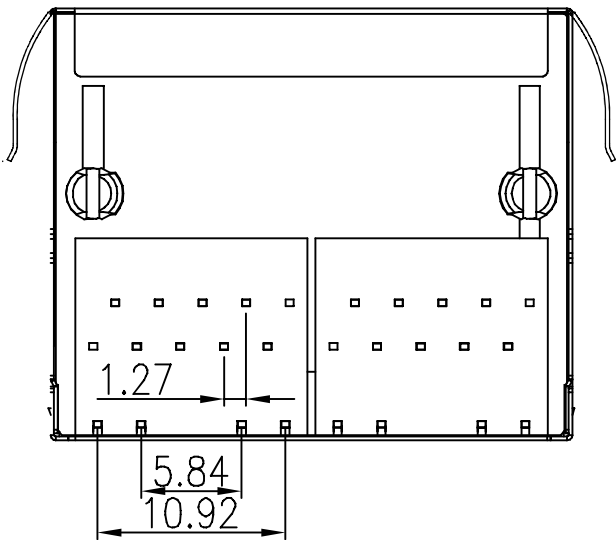
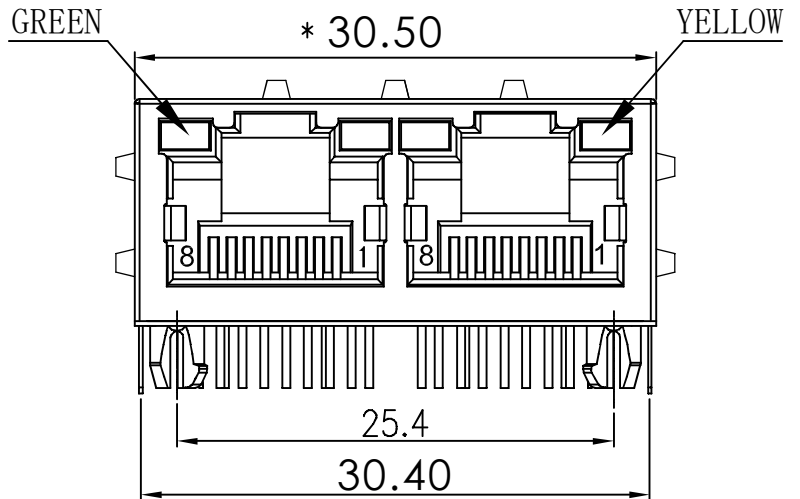
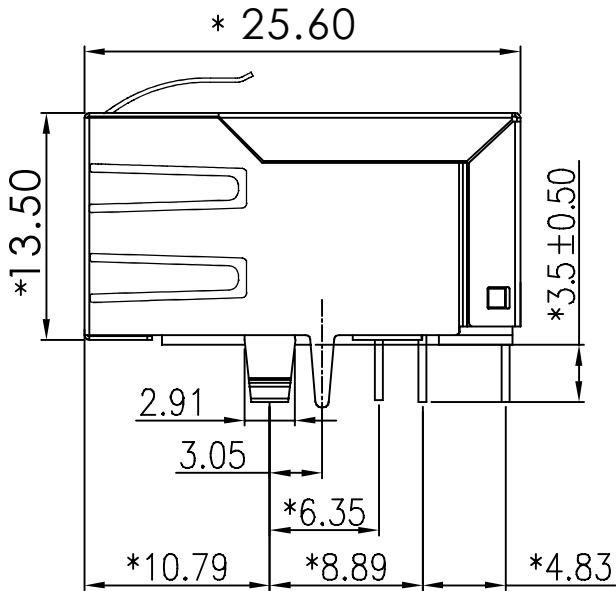


WitJack
1X2 Tab-UP RJ45
RJ-102B16U

Mechanicals

Witmag

TEL: +86 755 36921672 FAX: +86 755 29454863
 Http://www.witmag.com.cn Http://www.witmag.cn
 E-mail:sales@witmag.com.cn



P. C. B RECOMMENDED HOLE LAYOUT SEEN FROM COMPONENT SIDE.
 ALL CENTERLINE DIMENSIONS ARE BASIC

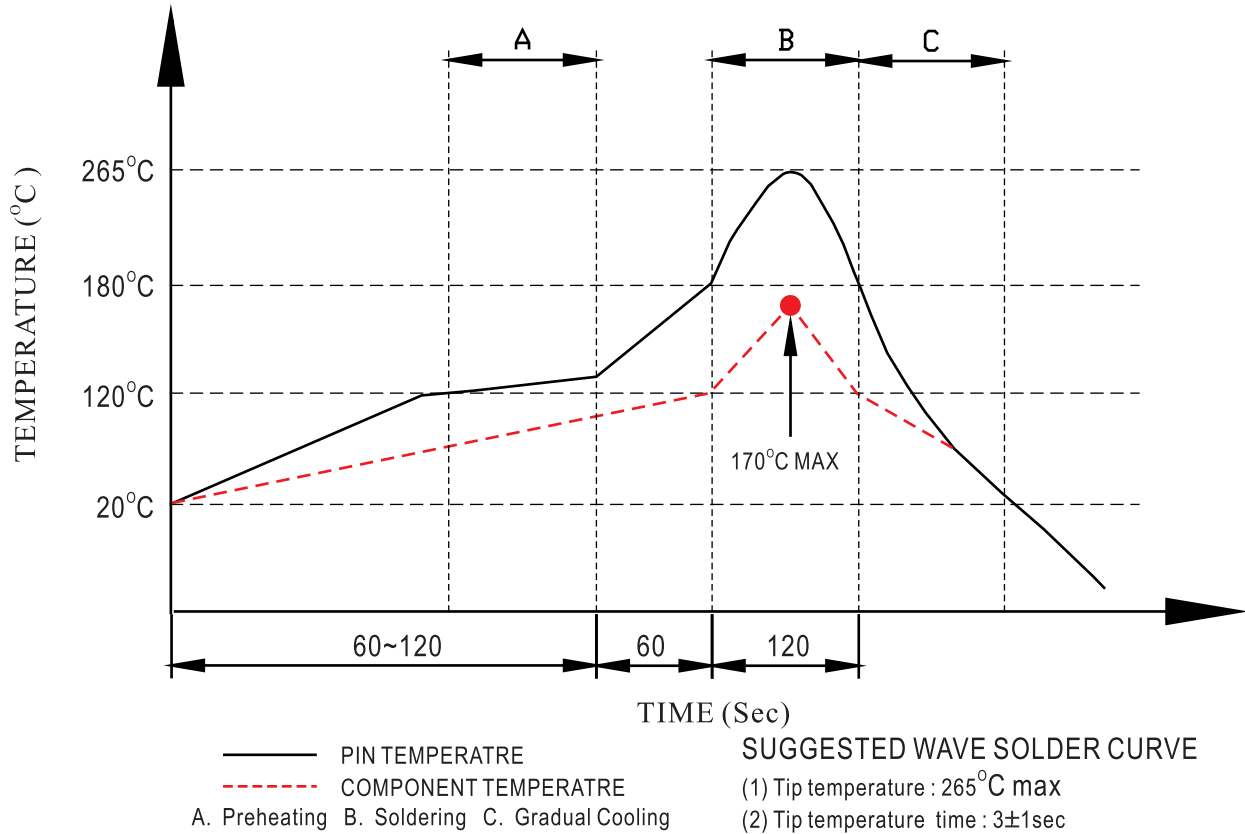
ALL TOLERANCES NOT OTHERWISE SPECIFIED TO BE ±0.25mm.

WitJack
1X2 Tab-UP RJ45
RJ-102B16U

Witmag

TEL: +86 755 36921672 FAX: +86 755 29454863
 Http://www.witmag.com.cn Http://www.witmag.cn
 E-mail:sales@witmag.com.cn

Profile of wave solder



*The melting point of Sn99.3/Cu0.7

REQUIREMENTS

- ◆ Material
 - ◇ Terminal Parts(Underphating:30u" min. Nickel overall)
 - RJ Terminal: PH. Bronze, Thickness=0.3mm, Finish: Contact Area: 50u" Gold
 - Input Terminal: Brass, Thickness=0.35mm, Finish: 100u" min. Mt. Tin
 - Case Terminal: Brass, Thickness=0.3mm, Finish: 100u" min. Tin
 - ◇ Plastic Parts<UL94V-0>
 - Housing: Thermoplastic, Black
 - Case: Thermoplastic, Black
 - Spacer: Thermoplastic, Black
 - Light Pipe: Thermoplastic, Black
 - ◇ Shield Parts
 - Front Shield: Stainless, Thickness=0.2mm, unplating
 - Back Shield: Stainless, Thickness=0.2mm, Pre-soldering
- ◆ Operating and Storage Temperature
 - Operating Temperature: -40°C to +85°C
 - Storage Temperature: -40°C to +85°C
- ◆ RJ45 Specifications
 - Insulation Resistance 500MΩmin
 - Insertion force with the latch depressed 22N max
 - Removal force with the latch depressed 44N max
 - Locking Force of Plug Latch: 50N min. @60±5 sec
 - Durability: 750 cycles MIN