

WITMAG

SPECIFICATION FOR APPROVAL

CUSTOMER _____

CUSTOMER'S PART NO. _____

DESCRIPTION **RJ45 ICM(W/O Transformer 1port)**

WITMAG'S PART NO. **RJ-101Z04Y** REV. **A**

WITMAG'S OLD P/N _____

ISSUE NO. _____

ISSUE DATE. **OCT.18,2019**

APPROVED

REJECTED

APPROVED UNDER
THE CONDITIONS:

Shenzhen Witmag Electronics Co.,ltd

**Add:5th Floor,B4 Buliding, Huafeng Guantian Science Park, Shiyan Street,
Baoan District, Shenzhen City**

Tel: +86 755-36921672/36921673

FAX:+86 755-29454863

E-mail:sales@witmag.com.cn

Web:Http://www.witmag.com.cn

Http://www.witmag.cn

Note:

- 1. This specification is the proprietary of Shenzhen witmag Electronics Co.,ltd and is not allowed to be revealed to third party without any written approval.**
- 2. This specification is valid within 1 year before approval, and for any updated specification information required, please contact with Witmag's sales window before order releases.**

WITMAG

SPECIFICATION FOR APPROVAL

CUSTOMER PART NO: WITMAG PART NO:RJ-101Z04Y PART NAME:RJ45 ICM(W/O Transformer 1port)					Rev.:A
					✓ ROHS
Revision	Description	Drawn	Designed	Approved	Issue date
A	New Release		HeWei	WangHaiping	OCT.18,2019

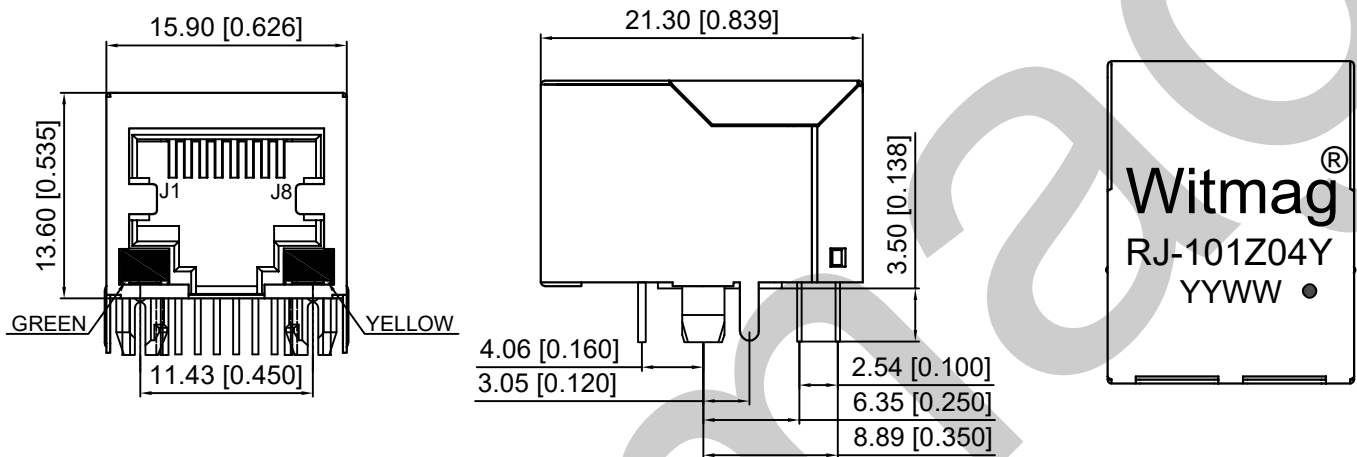
WITMAG

SPECIFICATION FOR APPROVAL

CUSTOMER PART NO: WITMAG PART NO:RJ-101Z04Y PART NAME:RJ45 ICM(W/O Transformer 1port)	Rev.:A
	 ROHS

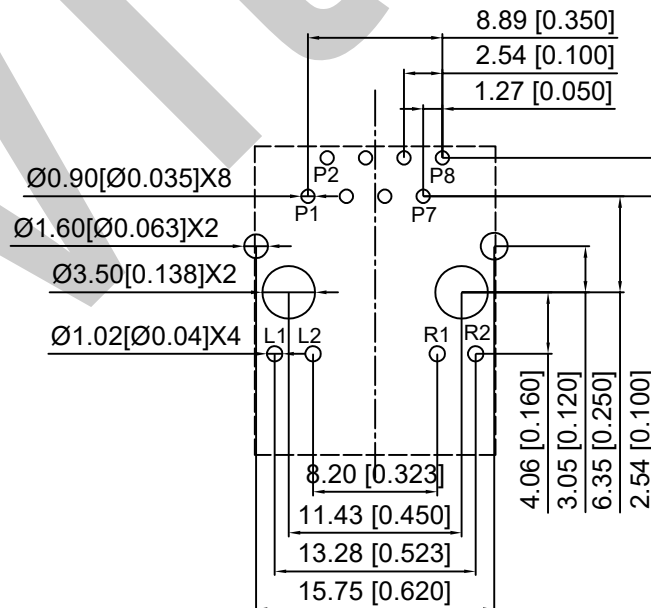
Mechanical Dimension and Recommended PWB Layout

◆ Mechanical Dimension



Dimensions:mm[Inchs]
 Unless otherwise specified,All dimensions tolerance is $\pm 0.25[0.010]$

◆ Recommended PWB Layout



Dimensions:mm[Inchs]
 Unless otherwise specified,All dimensions tolerance is $\pm 0.25[0.010]$

WITMAG

SPECIFICATION FOR APPROVAL

CUSTOMER PART NO:

WITMAG PART NO:RJ-101Z04Y

PART NAME:RJ45 ICM(W/O Transformer 1port)

Rev.:A



Circuit Schematic and Note

◆ Circuit Schematic



◆ Note:

- Connector material:
Housing:(Yellow) Glass Filled Polyester UL94 V-0
Contact: phosphor bronze Ø0.46mm
Shield:0.20mm thickness copper alloy with nickel plated.
Contact plating:selective gold,Gold Flash min in contact area
- RJ45 cavities conform to FCC rules regulation part 68
- Operating Temperature:0°C to +70°C
- Storage Temperature:-40°C to +85°C
- Electronical Specifications
Voltage Rating:125VAC
Current Rating:1.5AMP
Contact Resistance:50 MILLIOHMS MAX
Insulation Resistance:1000 MEGOHMS MIN @ 500VDC
Dielectric withstanding voltage:1000VAC RMS 50Hz OR 60Hz FOR 1MIN