

# WitJack

## 1X1 Tab-Down RJ45

### RJ-101P02C

# Witmag

TEL: +86 755 36921672 FAX: +86 755 29454863  
 Http: //www.witmag.com.cn Http: //www.witmag.cn  
 E-mail:sales@witmag.com.cn

### Features

#### Description:

- ◆ 10/100 Base-TX RJ45 single port(1X1) Tab-down with or with LEDs integrated magnetics connector (ICM), designed to support applications, such as Network Interface Cards (NIC), LAN-on Motherboard (LOM), and PC applications.

#### Features and Benefits:

- ◆ Single port Tab-down with internal magnetics for 10/100 Base-TX
- ◆ Available with or without LEDs
- ◆ Suitable for CAT 5 and 6 Fast Ethernet cable or better UTP
- ◆ Internal magnetics are 100% electrically tested for HI-POT and functionality

#### Electrical Performance Summary:

- ◆ Internal magnetics options available
- ◆ Meets or exceeds IEEE 802.3ab standard for 1000Base-T
- ◆ 350 uH minimum OCL with 8 mA bias current
- ◆ High performance for maximum EMI suppression
- ◆ Minimum 1500 Vrms isolation per IEEE 802.3 requirement

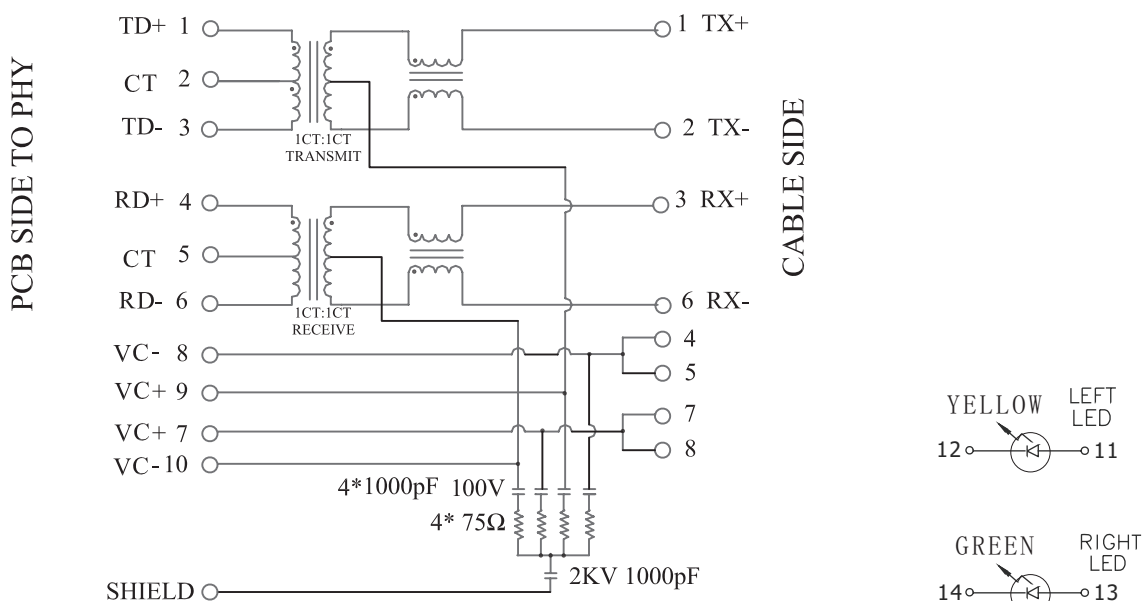
### SPEC

Electrical Specifications @25°C - Operating Temperature 0°C to 70°C

Part Number	EMI Fingers	LEDs L/R	Insertion Loss TX/RX (dB TYP)				Return Loss (dB MIN)			Crosstalk (dB TYP)			Common Mode Rejection (dB TYP)		Hipot (Vrms)
			1~100 MHz	1~10 MHz	30 MHz	60~80 MHz	100 Ω	1 5 Ω	1~10 MHz	32~65 MHz	65~100 MHz	1~125 MHz	125~500 MHz	@50 Hz	
RJ-101P02C	YES	Y/G	-1.0	-20	-16	-12	-40	-35	-30	-30	-20	1500			

- NOTE: 1. Both transmit and receive channels meet IEEE 802.3 specifications  
 2. Different electrical and mechanical specifications can be accommodated  
 3. LEDs Left/Right: G=green, Y=yellow, Y-G=Bicolor

### Schematics

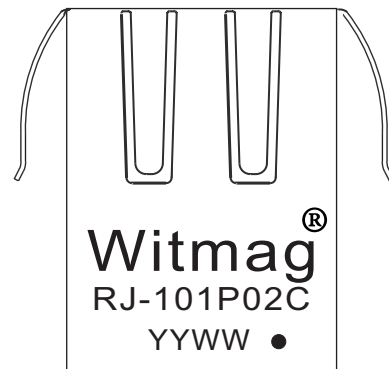
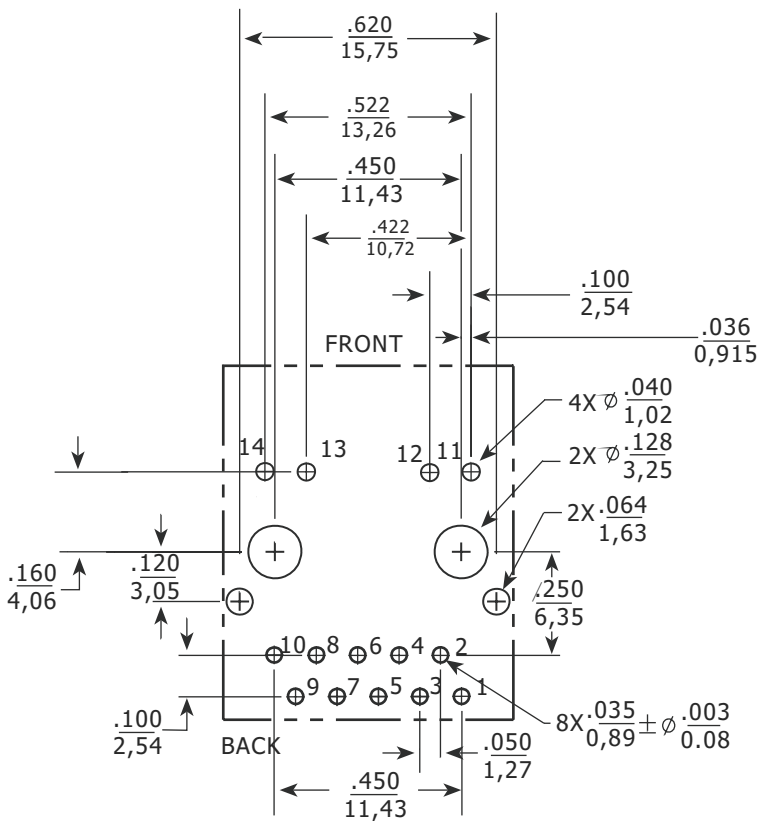
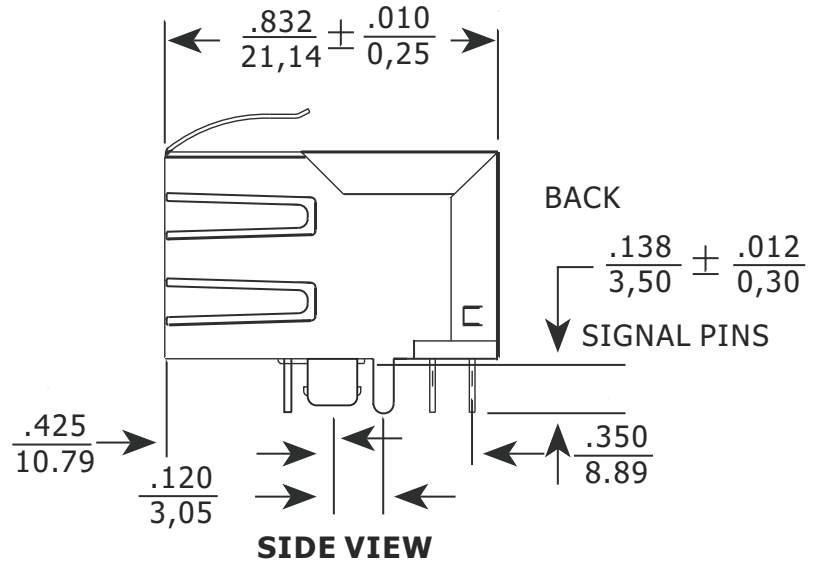
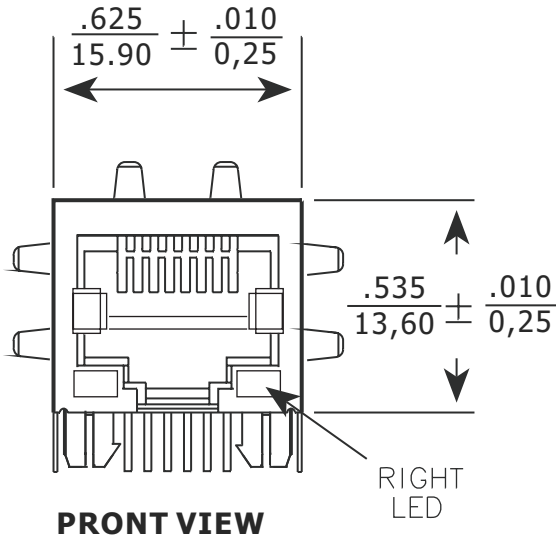


# WitJack 1X1 Tab-Down RJ45 RJ-101P02C

Mechanicals

# Witmag

TEL: +86 755 36921672 FAX: +86 755 29454863  
Http: //www.witmag.com.cn Http: //www.witmag.cn  
E-mail:sales@witmag.com.cn



Unit: mm

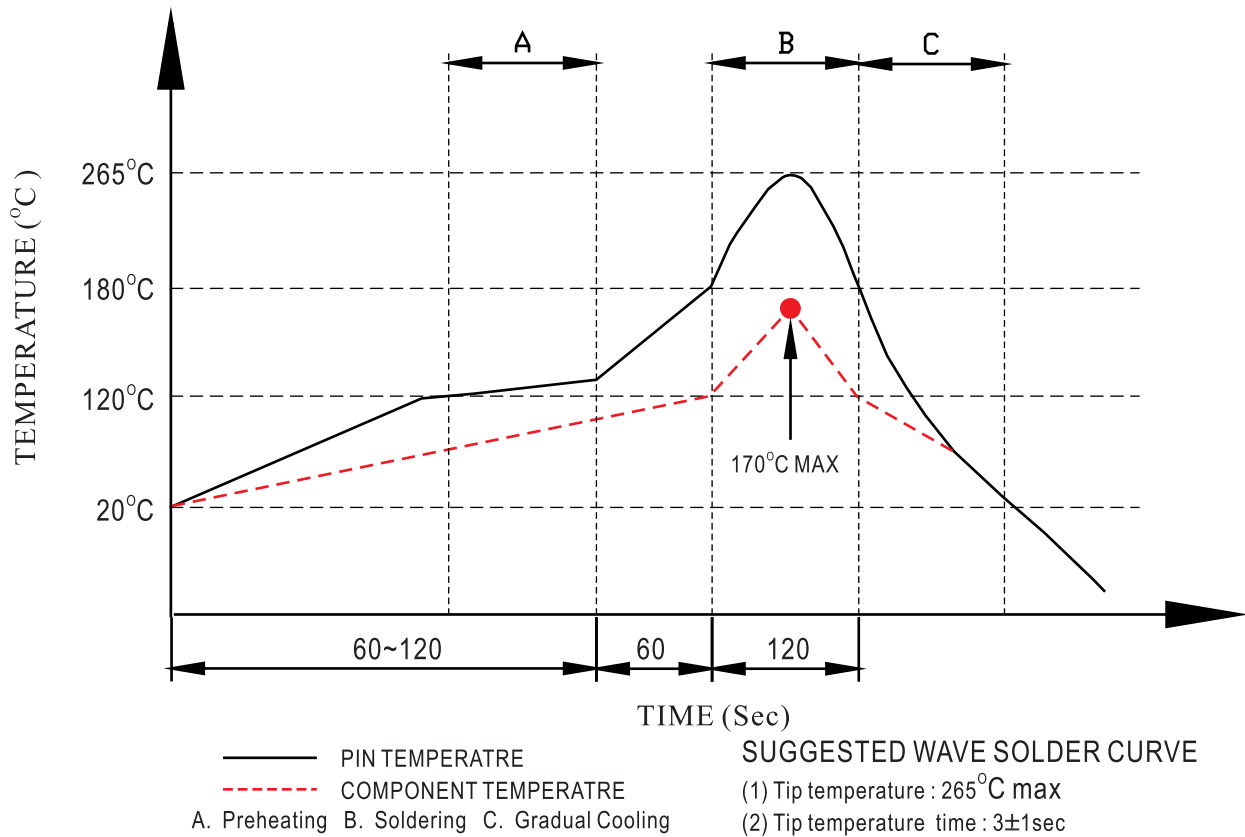
TOLERANCES UNLESS OTHERWISE SPECIFIED:  
0~0.393 ± 0.004 , 0.393~0.787 ± 0.006  
0~10.00 ± 0.100 , 10.00~20.00 ± 0.150

**WitJack**  
**1X1 Tab-Down RJ45**  
**RJ-101P02C**

**Witmag**

TEL: +86 755 36921672 FAX: +86 755 29454863  
 Http: //www.witmag.com.cn Http: //www.witmag.cn  
 E-mail:sales@witmag.com.cn

**Profile of wave solder**



\*The melting point of Sn99.3/Cu0.7

**REQUIREMENTS**

- ◆ Material
  - ◇ Terminal Parts(Underphating:30u" min. Nickel overall)
    - RJ Terminal: PH. Bronze, Thickness=0.3mm, Finish: Contact Area: 6u" Gold
    - Input Terminal: Brass, Thickness=0.35mm, Finish: 100u" min. Mt. Tin
    - Case Terminal: Brass, Thickness=0.3mm, Finish: 100u" min. Tin
  - ◇ Plastic Parts<UL94V-0>
    - Housing: Thermoplastic, Black
    - Case: Thermoplastic, Black
    - Spacer: Thermoplastic, Black
    - Light Pipe: Thermoplastic, Black
  - ◇ Shield Parts
    - Front Shield: Stainless, Thickness=0.2mm, unplating
    - Back Shield: Stainless, Thickness=0.2mm, Pre-soldering
- ◆ Operating and Storage Temperature
  - Operating Temperature: 0°C to +70°C
  - Storage Temperature: -40°C to +85°C
- ◆ RJ45 Specifications
  - Insulation Resistance 500MΩmin
  - Insertion force with the latch depressed 22N max
  - Removal force with the latch depressed 44N max
  - Locking Force of Plug Latch: 50N min. @60±5 sec
  - Durability: 750 cycles MIN