

# 1000BASE-TX Magnetics Solutions GF-62406(ROHS)

# Witmag

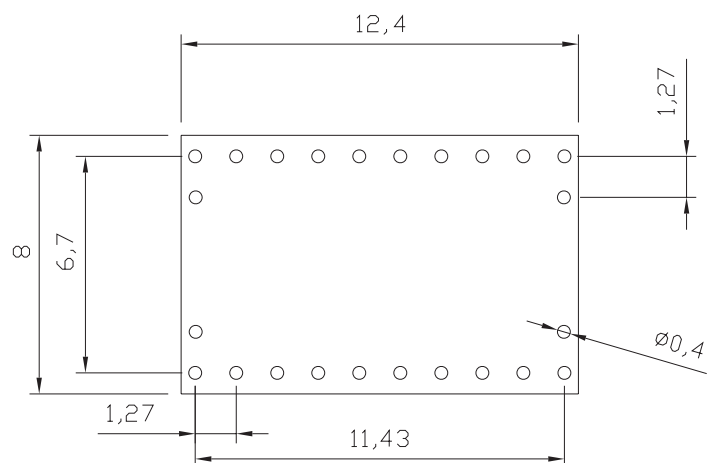
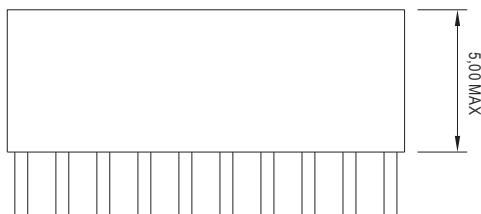
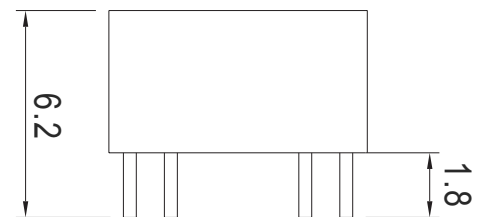
TEL: +86 755 36921672 FAX: +86 755 29454863  
Http://www.witmag.com.cn Http://www.witmag.cn  
E-mail:sales@witmag.com.cn

## Features

- ✦ DESIGNED TO MEET IR REQUIREMENT
- ✦ ENVIRONMENTAL: AT 235 °C IN 1 MINUTE
- ✦ SPECIFICATIONS: AT 25 °C
- ✦ OPERATION TEMP: 0 °C ~ 70 °C
- ✦ OCL : 350 MIN @8mA (100KHz , 100mV)
- ✦ Turns Ration (±5%):TX (1CT : 1CT) RX( 1CT : 1CT)

## Mechanicals

### ▲ GF-62406



Units: mm

TOLERANCE DECIMALS:  $.X \pm 0.25$ ;  
 $.XX \pm 0.15$ ;  $.XXX \pm 0.05$

# 1000BASE-TX Magnetics Solutions GF-62406(ROHS)

# Witmag

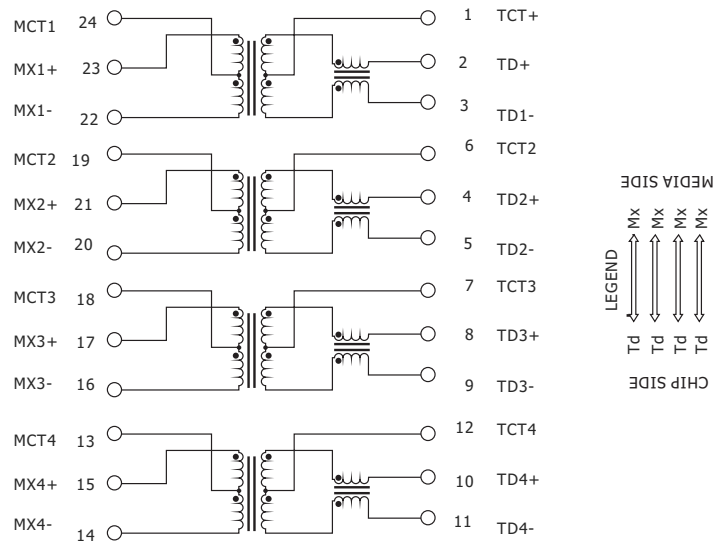
TEL: +86 755 36921672 FAX: +86 755 29454863  
 Http://www.witmag.com.cn Http://www.witmag.cn  
 E-mail:sales@witmag.com.cn

## SPEC

## Schematics

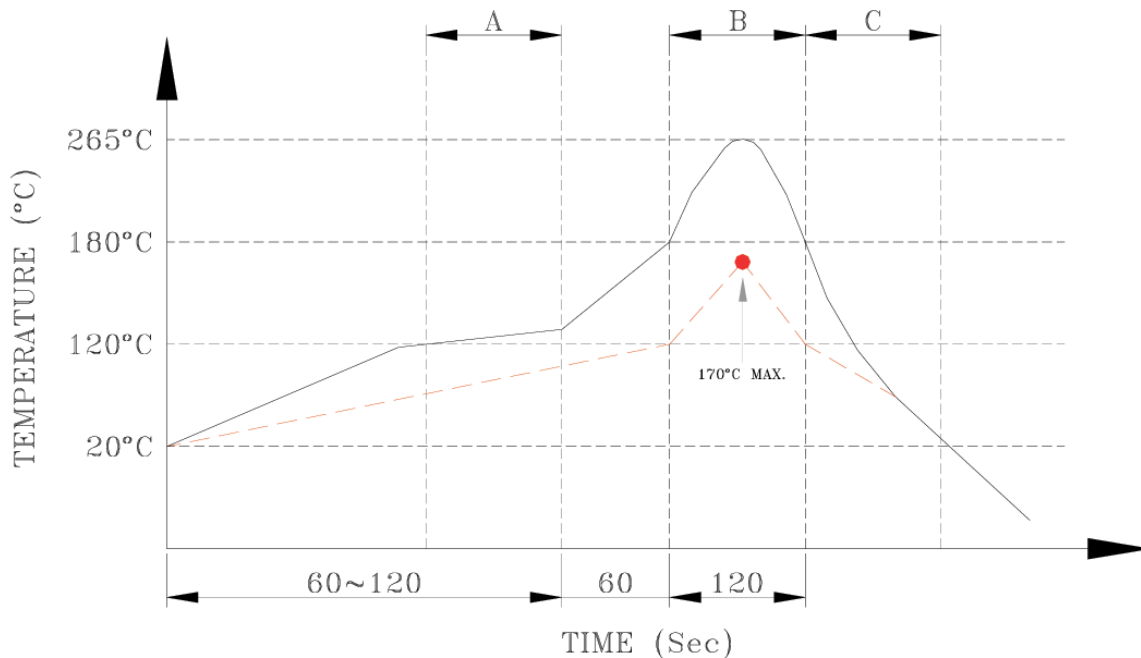
- ◆ Insertion Loss (dB MAX): 0.3~100 MHz -1.0dB
- ◆ Return Loss(dB MIN @100Ω)
  - 30MHz -18dB
  - 60MHz -14dB
  - 80MHz -12dB
- ◆ CMRR TX/RX(dB MIN)
  - 30MHz -40 dB
  - 50MHz -35 dB
  - 100MHz -30dB
  - 150MHz -20 dB
- ◆ Crosstalk (TX-RX) (dB MIN)
  - 30MHz -50 dB
  - 60MHz -45 dB
  - 100MHz -30 dB
- ◆ Hipot (Vrms MIN) 1500VAC

### GF-62406



Electrical Specifications @25°C - Operating Temperature 0°C to 70°C

## Profile of wave solder



SUGGESTED WAVE SOLDER CURVE  
 (1)Tip temperature : 265°C max  
 (2)Tip temperature time : 3±1sec

— PIN TEMPERATURE  
 - - - COMPONENT TEMPERATURE

A. Preheating B. Soldering C. Gradual Cooling

\*The melting point of Sn 99.3/Cu 0.7