

# WITMAG

## SPECIFICATION FOR APPROVAL

CUSTOMER \_\_\_\_\_

CUSTOMER'S PART NO. \_\_\_\_\_

DESCRIPTION **RJ45 ICM(W/O Transformer 2ports)**

WITMAG'S PART NO. **RJ-201Z09** REV. **A**

WITMAG'S OLD P/N \_\_\_\_\_

ISSUE NO. \_\_\_\_\_

ISSUE DATE. **MAY.11,2020**

APPROVED

REJECTED

APPROVED UNDER  
THE CONDITIONS:

**Shenzhen Witmag Electronics Co.,ltd**

**Add:5th Floor,B4 Buliding, Huafeng Guantian Science Park, Shiyan Street,  
Baoan District, Shenzhen City**

**Tel: +86 755-36921672/36921673**

**FAX:+86 755-29454863**

**E-mail:sales@witmag.com.cn**

**Web:Http://www.witmag.com.cn**

**Http://www.witmag.cn**

**Note:**

- 1. This specification is the proprietary of Shenzhen witmag Electronics Co.,ltd and is not allowed to be revealed to third party without any written approval.**
- 2. This specification is valid within 1 year before approval, and for any updated specification information required, please contact with Witmag's sales window before order releases.**

# WITMAG

## SPECIFICATION FOR APPROVAL

<b>CUSTOMER PART NO:</b> <b>WITMAG PART NO:RJ-201Z09</b> <b>PART NAME:RJ45 ICM(W/O Transformer 2ports)</b>					Rev.:A  ✓ <b>ROHS</b>
Revision	Description	Drawn	Designed	Approved	Issue date
A	New Release	/	HeWei	WangHaiping	MAY.11,2020
<div style="position: absolute; top: 50%; left: 50%; transform: translate(-50%, -50%) rotate(-15deg); opacity: 0.3; font-size: 2em;">                 WITMAG             </div>					

# WITMAG

## SPECIFICATION FOR APPROVAL

CUSTOMER PART NO:

WITMAG PART NO:RJ-201Z09

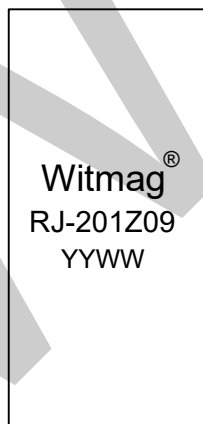
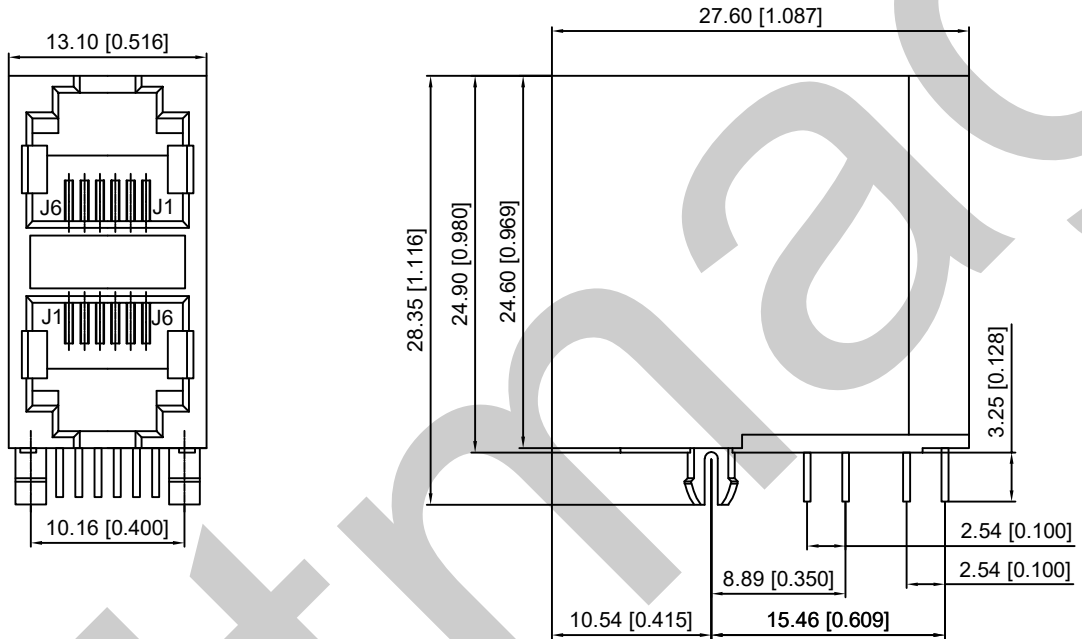
PART NAME:RJ45 ICM(W/O Transformer 2ports)

Rev.:A

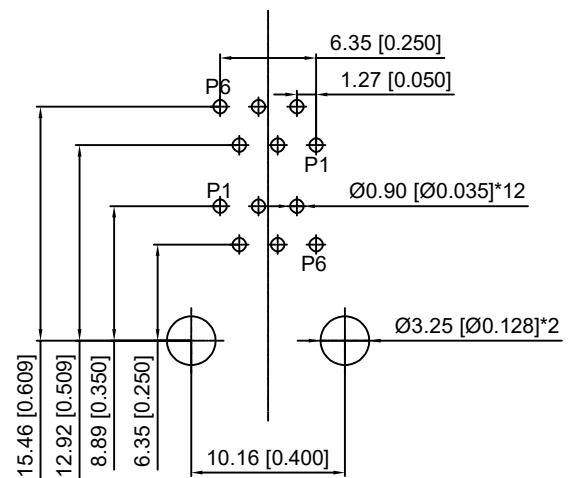


### Mechanical Dimension and Recommended PWB Layout

#### ◆ Mechanical Dimension



Back



Recommended PWB Layout

Dimensions:mm[Inchs]

Unless otherwise specified,All dimensions tolerance is  $\pm 0.25[0.010]$

# WITMAG

## SPECIFICATION FOR APPROVAL

<b>CUSTOMER PART NO:</b> <b>WITMAG PART NO:RJ-201Z09</b> <b>PART NAME:RJ45 ICM(W/O Transformer 2ports)</b>	<b>Rev.:A</b>  <b>ROHS</b>
--	---

### Circuit Schematic and Note

#### ◆ Circuit Schematic



#### ◆ Note:

- Connector material:  
Housing:Glass Filled polyester UL94 V-0  
Contact(Round PINØ0.46mm):Phosphor Bronze  
Contact plating:selective gold,gold flash in contact area
- RJ45 cavities conform to FCC rules regulation part 68
- Operating Temperature:0°C to +70°C
- Storage Temperature:-40°C to +85°C
- Electronical Specifications  
Voltage Rating:125VAC  
Current Rating:1.5AMP  
Contact Resistance:50 MILLIOHMS MAX  
Insulation Resistance:1000 MEGOHMS MIN @ 500VDC  
Dielectric withstanding voltage:1000VDC RMS 50Hz OR 60Hz FOR 1MIN