

10/100BASE-TX Single Port Magnetics HF-81606

Witmag

TEL: +86 755 36921672 FAX: +86 755 29454863
 Http://www.witmag.com.cn Http://www.witmag.cn
 E-mail:sales@witmag.com.cn

Features

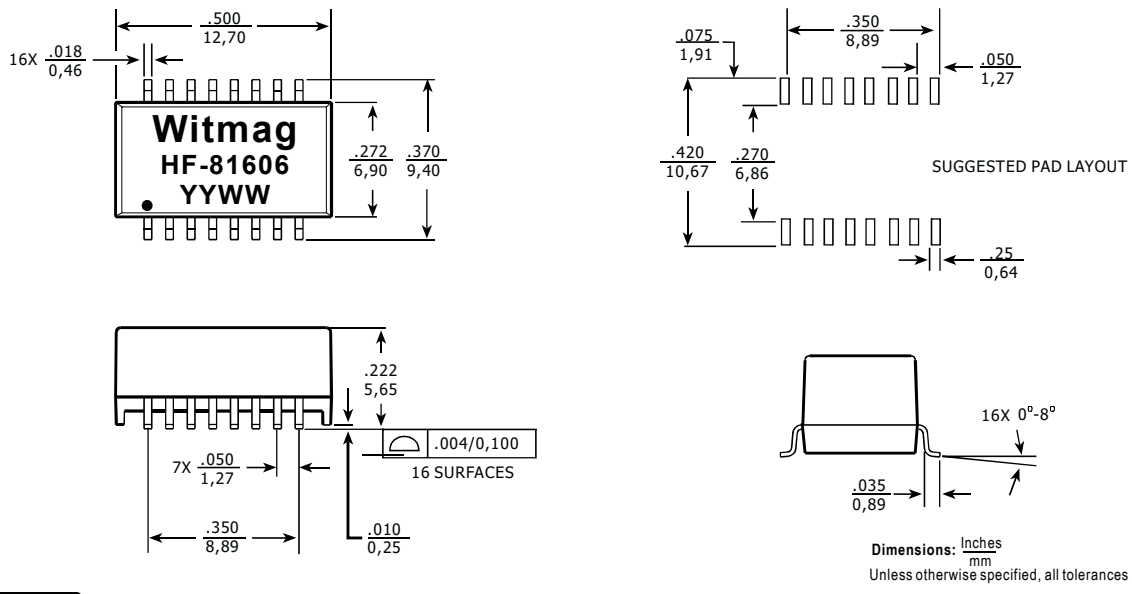
- ✦ Meets IEEE 802.3 and ANSI X3.263 standards, including 350uH OCL with 8mA bias
- ✦ Designed for reflow soldering at temperatures up to 235°C
- ✦ Compact footprint for use in the most space-restrictive applications
- ✦ With various turns ratios
- ✦ 16 Pin SOIC low profile package isolation modules
- ✦ POE applications current capability: 1 A MAX

SPEC

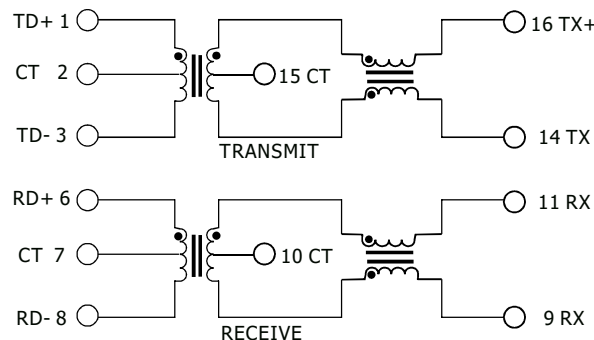
Electrical Specifications @25°C - Operating Temperature 0°C to 70°C

Part Number	Turns Ratio		Leakage Inductance uH MAX	Insertion Loss		Return Loss			Crosstalk 1~100 MHz	Hipots (Vrms MIN)
	Transmit	Receive		0.1~100 MHz	0.5~30 MHz	40 MHz	50 MHz	60~80 MHz		
HF-81606	1CT:1CT	1CT:1CT	0.4	-1.0	-18.0	-16.5	-14.5	-12.0	-30.0	1500

Mechanicals



Schematics

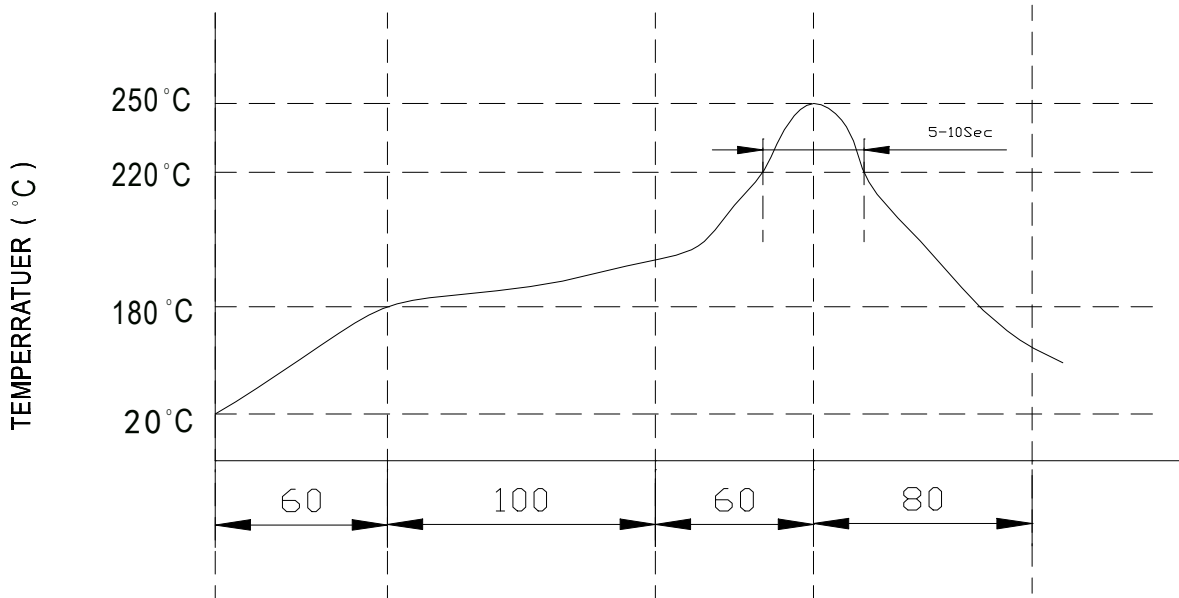


10/100BASE-TX Single Port Magnetics HF-81606

Witmag

TEL: +86 755 36921672 FAX: +86 755 29454863
Http://www.witmag.com.cn Http://www.witmag.cn
E-mail:sales@witmag.com.cn

Profile of wave solder



SUGGESTED WAVE SOLDER CURVE

- (1) Tip temperature : $250 \pm 10^{\circ}\text{C}$
- (2) Tip temperature time :5 sec max
- *The melting point of Tin : 183°C