

10/100BASE-TX Single Port Magnetics HF-61207(ROHS)

Witmag

TEL: +86 755 36921672 FAX: +86 755 29454863
 Http://www.witmag.com.cn Http://www.witmag.cn
 E-mail:sales@witmag.com.cn

Features

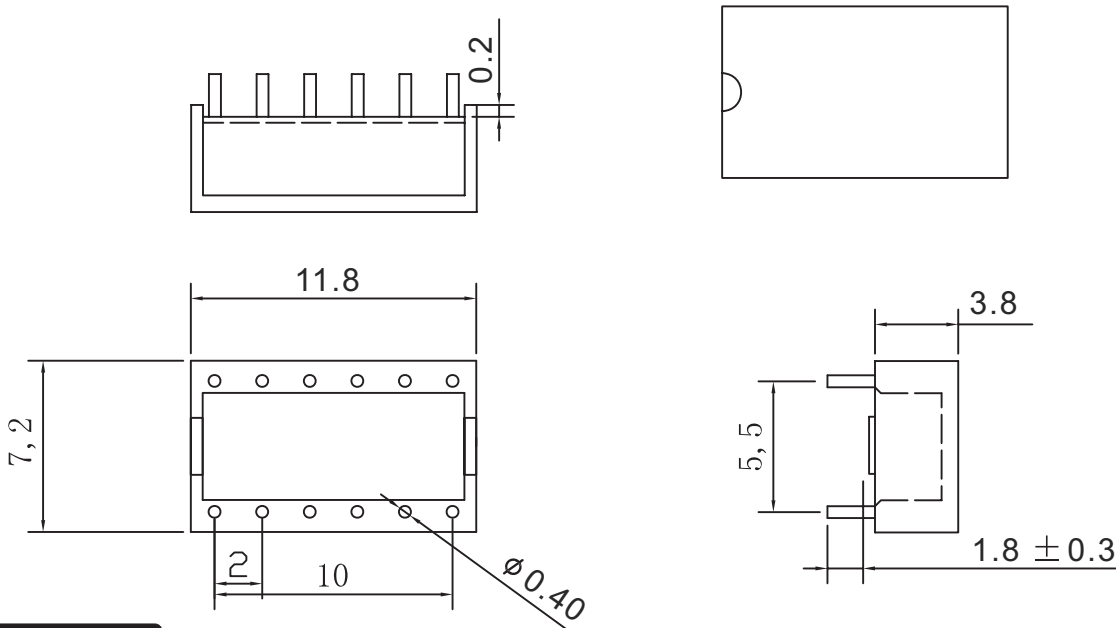
- ✦ Meets IEEE 802.3 and ANSI X3.263 standards, including 350uH OCL with 8mA bias
- ✦ Designed for reflow soldering at temperatures up to 265°C
- ✦ Compact footprint for use in the most space-restrictive applications
- ✦ With various turns ratios
- ✦ 12 Pin SOIC low profile package isolation modules

SPEC

Electrical Specifications @25°C - Operating Temperature 0°C to 70°C

Part Number	Turns Ratio		Leakage Inductance uH MAX	Insertion Loss 0.1~100 MHz	Return Loss			Hipots (Vrms MIN)	Sch
	Transmit	Receive			0.5~30 MHz	40 MHz	50 MHz		
HF-61207	1CT:1CT	1CT:1CT	0.4	-1.0	-18.0	-16.5	-14.5	-12.0	1500

Mechanicals



Dimensions: Inches
mm
尺寸公差: ±0.25

Schematics

